

VN-05-M-I3-PQ2-VQ2

Vacuum generator

Vacuum generator, newline

Standard in-line, high vacuum, 14 mm width, with push-in connector

New, cost-effective and attractive, wide ranging series of vacuum generators as expansion and replacement for VAD-M5 through VAD-G3/8.

Variants and functions:

- 2 vacuum ranges:

High vacuum to 0.85 bar

High suction capacity for vacuums of up to 0.4 bar

- Two operating modes: standard and inline

- Ejectors are available in 4 different performance classes (Laval nozzle diameters: 0.45, 0.70, 0.95 and 1.40 mm)

- Variable connection options such as:

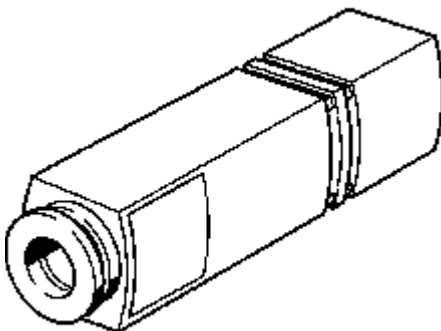
1. Screw-in silencer

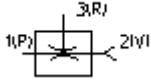
2. Quick Star push-in fittings, moulded-on barbed fittings and threaded connectors (G internal thread, G and metric external threads matched to ESG holders)

3. Several connection sizes per performance class, i.e. per Laval nozzle diameter

4. Lightweight compact design (plastic housing)

5. Lockable housing





VN-05-M-I3-PQ2-VQ2

Vacuum generator

Feature	Data/description
Design structure	Straight design
Ambient temperature	0 - 60 °C
Mounting type	Line installation
Assembly position	Any
Operating pressure	1,000 - 8,000 bar
Medium temperature	0,0 - 60,0 °C
Product weight	15,000 g
Operating medium	Filtered, unlubricated compressed air, 40 µm filtration
Pneumatic connection, port 1	QS-6
Pneumatic connection, port 3	Non-ducted
Corrosion resistance classification CRC	1
Ejector characteristic	High vacuum
Max. vacuum	86 %
Nominal size, Laval nozzle	0,450 mm
Vacuum connection	QS-6
Materials note	Copper and Teflon-free
Materials information, housing	POM-reinforced