


		NAME	DATE
	DRAWN	WML	31-05-2012
	APPR	STS	24-08-2012
	MATERIAL:		
	WEIGHT:		

PROPRIETARY AND CONFIDENTIAL  
 THE INFORMATION CONTAINED IN THIS  
 DRAWING IS THE SOLE PROPERTY OF UNIVERSAL  
 ROBOTS. ANY REPRODUCTION IN PART OR AS A  
 WHOLE WITHOUT THE WRITTEN PERMISSION OF  
 UNIVERSAL ROBOTS IS PROHIBITED

Location: X:\Mekanisk Udvikling\UR5\CAD\Simple robot\



# UNIVERSAL ROBOTS

TEL: +45 89 93 89 89 FAX: +45 38 79 89 89 WEB: universal-robots.com

TITLE:  
 UR5 - working area, side view

LAST SAVED: 24. august 2012 11:13:21

DWG NO.	REV.
---------	------

1

2

3

4

A

A

B

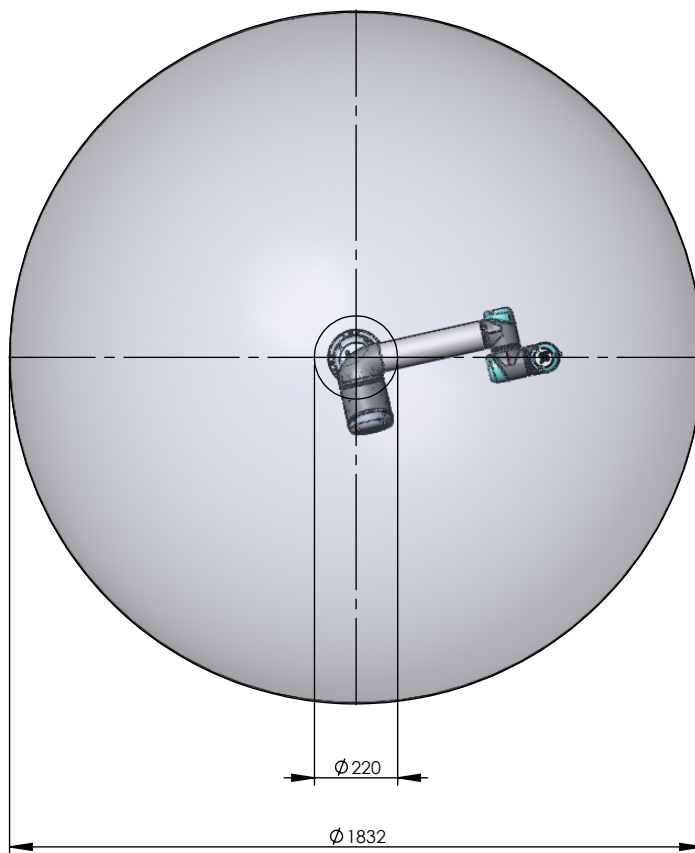
B


C

C

D

D



PROPRIETARY AND CONFIDENTIAL THE INFORMATION CONTAINED IN THIS DRAWING IS THE SOLE PROPERTY OF UNIVERSAL ROBOTS. ANY REPRODUCTION IN PART OR AS A WHOLE WITHOUT THE WRITTEN PERMISSION OF UNIVERSAL ROBOTS IS PROHIBITED		NAME	DATE	 <b>UNIVERSAL ROBOTS</b> TEL: +45 89 93 89 89 FAX: +45 38 79 89 89 WEB: universal-robots.com	
	DRAWN	WML	31-05-2012		
	APPR	STS	24-08-2012		
	TITLE:				UR5 working area, topview
MATERIAL:			LAST SAVED: 24. august 2012 11:13:21	REV.	
WEIGHT:			DWG NO.		
Location: X:\Mekanisk Udvikling\UR5\CAD\Simple robot\				SCALE:1:20	SHEET 2 OF 3
				SIZE A4	

1

2

3

4

A

A

B

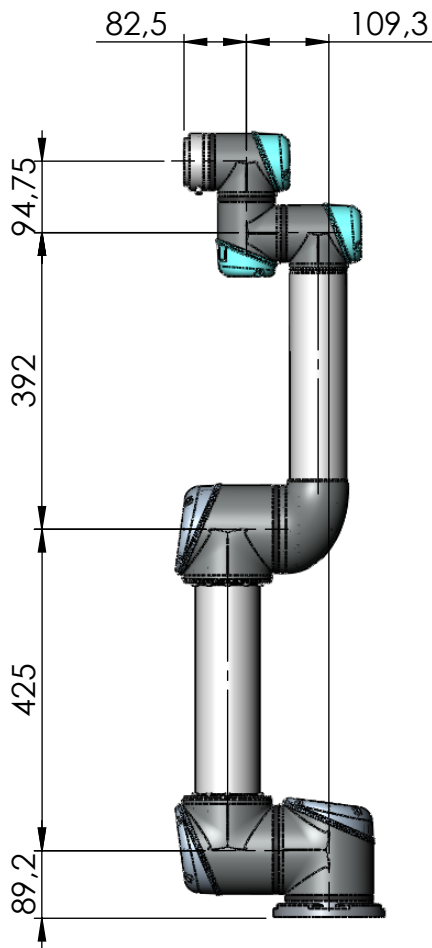
B

C

C

D

D



		NAME	DATE
	DRAWN	WML	31-05-2012
	APPR	STS	24-08-2012
	PROPRIETARY AND CONFIDENTIAL THE INFORMATION CONTAINED IN THIS DRAWING IS THE SOLE PROPERTY OF UNIVERSAL ROBOTS. ANY REPRODUCTION IN PART OR AS A WHOLE WITHOUT THE WRITTEN PERMISSION OF UNIVERSAL ROBOTS IS PROHIBITED		
	MATERIAL:		
	WEIGHT:		



# UNIVERSAL ROBOTS

TEL: +45 89 93 89 89 FAX: +45 38 79 89 89 WEB: universal-robots.com

TITLE:

UR5 Robotarm, dimensions

LAST SAVED: 24. august 2012 11:13:21

DWG NO.

REV.